

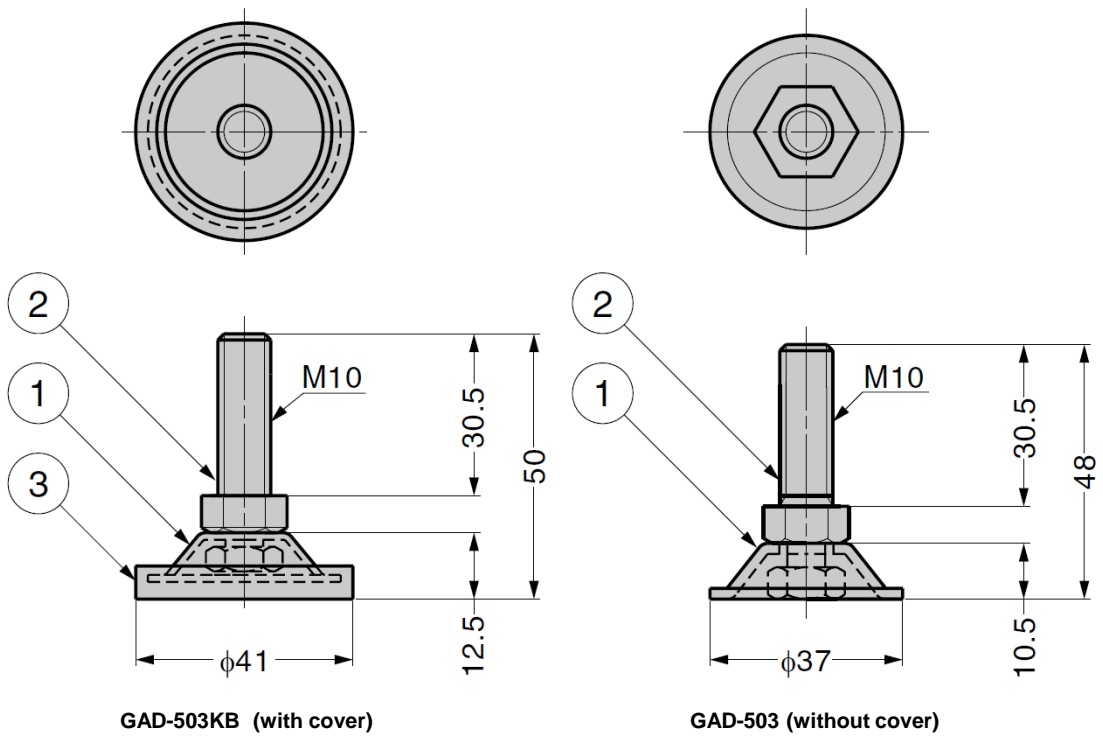
GAD-503 Levelling Glide

Features

- Hexagon nut at the bottom allows easy installation with impact wrench
- **GAD-503KB**: With non-slip elastomer cover

Sold Separately

- Washer **GADZS** (stainless steel)
- Washer **GADZ** (steel)



GAD-503KB (with cover)

GAD-503 (without cover)

No.	Part Name	Material	Finish/Colour
①	Body	Steel (SPCC)	Coloured Zinc Chromate
②	Threaded Bolt	Steel (SWRCH)	(Trivalent)
③	Cover	Elastomer (TPE)	Black

No.	Part Name	Material	Finish/Colour
①	Body	Steel (SPCC)	Coloured Zinc Chromate
②	Threaded Bolt	Steel (SWCH)	(Trivalent)

Part No.	Type
GAD-503KB	With Cover
GAD-503	Without Cover